



ROLLER GRILLES & SHUTTERS • FOLDING CLOSURES • STACKDOOR

GALAXY

ROLLERSAFE CYCLONE SHUTTER



An aesthetically pleasing roller shutter, designed for compact openings. The heavy duty, double-wall, slimline profile provides robust protection. The Galaxy Rollersafe Cyclone-Rated Shutter requires minimal headroom with the use of an octagonal barrel, housed in a pelmet. It is ideally suited to small to medium-sized enclosures including cabinets, windows, and storefronts, with a wide range of profile colours. This shutter complies with AUS/NZ cyclone-ratings (AS/NZS 1170.2:2011).

TECHNICAL SPECIFICATIONS

MAXIMUM WIDTH	2500mm (Manual) 5000mm (Motorised)
MAXIMUM HEIGHT	2500mm (Manual) 3000mm (Motorised)
APPROX. WEIGHT PER SQM	18 kgs. per sqm
SLAT HEIGHT	36mm
SLAT THICKNESS	1.2mm (double wall)
BARREL TYPES	Octagonal
BRACKETS	4mm duragalv mild steel angles and plates
SIDE GUIDES	68mm deep x 25mm wide (face fixed or heel fixed)
WIND LOCKS	YES (optional)
DOOR FINISH	Standard Satin Silver Anodised / Dulux Duralloy Powder Coating

DOOR OPERATION

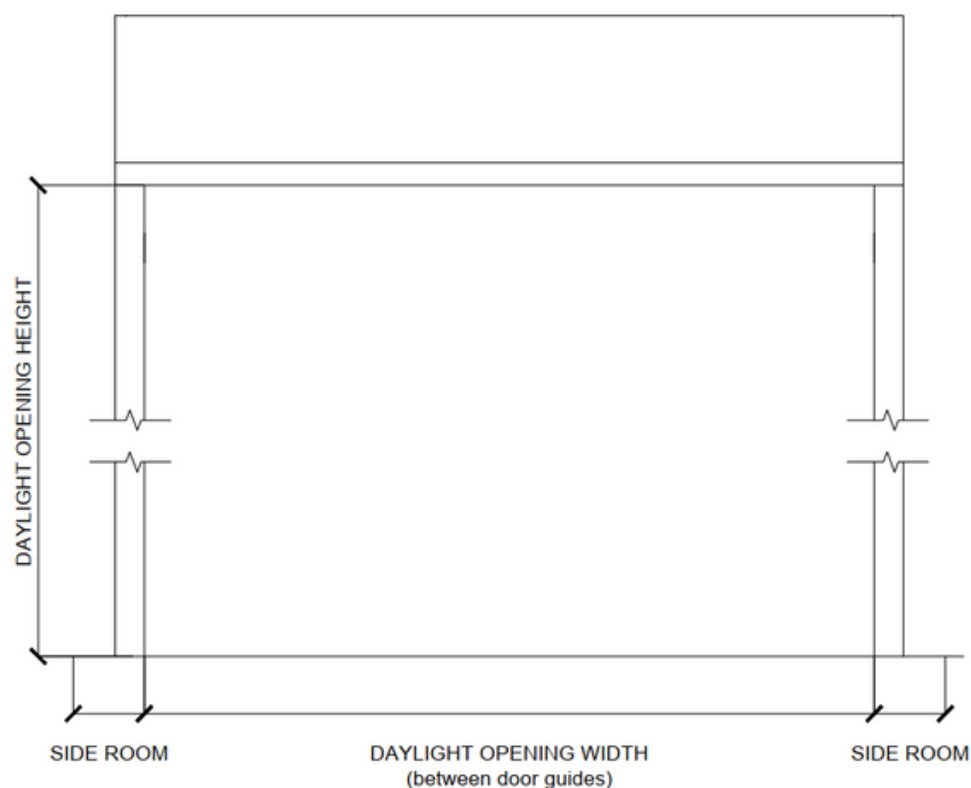
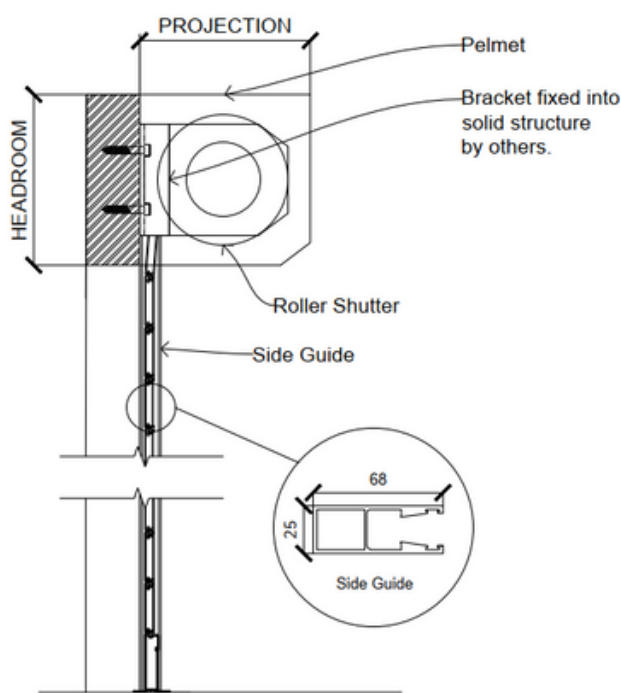
- Manual spring-balanced operation
- Motorised operation (low cycle applications ONLY - not available in high cycle applications) via a single-phase internal tubular motor / controllers / limit switches, with options for external key switches, remote controls, and UPS battery back-up units

LOCKING (for Manual Operation)

- Snib Lock (with thumb-turn)
- Dead Lock (keyed both sides)

POWER REQUIREMENTS (for Motorised Operation)

- Single-Phase outlet (10A), located within 1 metre of the motor - plug and go setup



STANDARD DOOR SETUP

DOOR OPERATION	HEADROOM* (mm)	SIDEROOM* (mm)	PROJECTION* (mm)
Manual spring-balanced	250	Both Sides : 100	300
Motorised	250	Both Sides : 100	300

**minimum dimensions*

EXTERNAL WORKS BY OTHERS

- Power supply provision, if required
- Structurally sound wall/mounting points to support the roller shutter, designed and approved by a certified engineer
- Adequate headroom, side room, and projections to ensure successful operation

PRODUCT WARRANTY

12 months (Materials and Workmanship)

Scotty Doors Ltd has a continuing programme of product development and reserves the right to alter specifications at any time without notice.

A full range of extra details available at www.scottydoors.com



+64 9 479 4779 | 0800 760 687

office@scottydoors.com

www.scottydoors.com

30 Tarnedale Grove, Rosedale
0632 Auckland, New Zealand

PO Box 305041, Triton Plaza
0757 Auckland, New Zealand